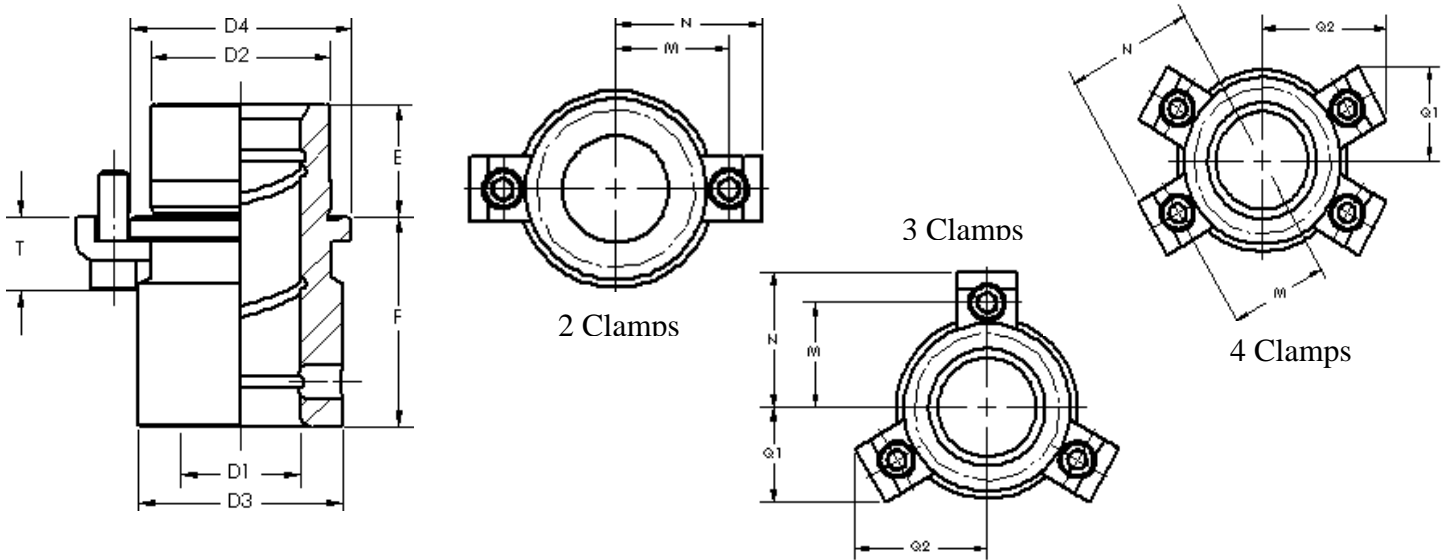


Demountable Shoulder Bushings

Janesville Tool & Mfg Demountable Shoulder Bushings feature bearing quality case hardened steel. ID is precision ground & hone assuring interchangeable with Guide Posts



Demountable Shoulder Bushings

D1	5/8"	3/4"	1"	1"	1 1/4"	1 1/4"
Model #	CB-005-020	CB-006-027	CB-008-013 CBB-008-013	CB-008-028 CBB-008-028	CB-010-013 CBB-012-013	CB-010-032 CBB-010-032
F	1.2870	1.6930	.8125	1.7500	.8125	2.0000
D2	7/8	1 3/8	1 1/2	1 1/2	1 3/4	1 3/4
D3	1.125	1.375	1.720	1.720	1.940	1.940
D4	1.250	1.75	1.845	1.845	2.095	2.095
E	.588	.807	.9375	.9375	1.1250	1.1250
M	13/16	1 1/16	1 1/16	1 1/16	1 7/32	1 7/32
N	1.063	1.3125	1.3857	1.3857	1.6542	1.6542
T	.625	.625	.606	.606	.708	.708
Screws	1/4 -20 x 3/4	1/4 -20 x 3/4	1/4 -20 x 3/4	1/4 -20 x 3/4	5/16-18 X 3/4	5/16-18 X 3/4
Clamps	2	2	2	2	3	3
Q1	N/A	N/A	N/A	N/A	1.0832	1.0832
Q2	N/A	N/A	N/A	N/A	1.5632	1.5632
Bore Size	<u>.8765</u> .8768	<u>1.3768</u> 1.3772	<u>1.5003</u> 1.4997	<u>1.5003</u> 1.4997	<u>1.7503</u> 1.7497	<u>1.7503</u> 1.7497

*To be used with MDS, PP and CP style Guide Posts.

Bronze plated – approximately thickness .0006 which assures low coefficient of friction with the rigidity of steel.

* Dimensions and specifications subject to change without prior notice.

Demountable Shoulder Bushings

Janesville Tool & Mfg Demountable Shoulder Bushings feature bearing quality case hardened steel. ID is precision ground & hone assuring interchangeable with Guide Posts

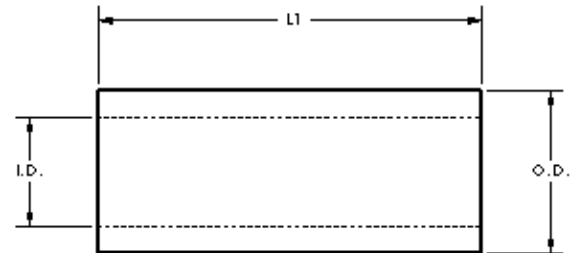
D1	1 ½”	1 ½”	1 ¾”	1 ¾”	2”	2”
Model #	CB-012-013 CBB-012-013	CB-012-032 CBB-012-032	CB-014-016 CBB-014-016	CB-014-032 CBB-014-032	CB-016-016 CBB-016-016	CB-016-032 CBB-016-032
F	.8125	2.0000	1.0000	2.0000	1.0000	2.0000
D2	2	2	2 ¼	2 ¼	2 ½	2 ½
D3	2.190	2.190	2.503	2.503	2.909	2.909
D4	2.345	2.345	2.658	2.658	3.064	3.064
E	1.1875	1.1875	1.3750	1.3750	1.6250	1.6250
M	1 3/8	1 3/8	1 ½	1 ½	1 45/64	1 45/64
N	1.8078	1.8078	1.9311	1.9311	2.1317	2.1317
T	.708	.708	.708	.708	.708	.708
Screws	5/16-18 X ¾	5/16-18 X ¾	5/16-18 X ¾	5/16-18 X ¾	5/16-18 X ¾	5/16-18 X ¾
Clamps	3	3	4	4	4	4
Q1	1.1613	1.1613	1.2238	1.2238	1.3254	1.3254
Q2	1.6985	1.6985	1.8067	1.8067	1.9826	1.9826
Bore Size	<u>2.0003</u> 1.9997	<u>2.0003</u> 1.9997	<u>2.2503</u> 2.2497	<u>2.2503</u> 2.2497	<u>2.5003</u> 2.4997	<u>2.5003</u> 2.4997

*To be used with PP and CP style Guide Posts.

Bronze plated – approximately thickness .0006 which assures low coefficient of friction with the rigidity of steel.

Headless Straight Bushings

Model #	I.D.	O.D.	Hole Dia.	L1
2MDS-4	3/8”	5/8”	.6264/.6267	1”
3MDS-4	½”	¾”	.7515/.7518	1 ¾”



*To be used with MDS and PP style Guide Posts.

* Dimensions and specifications subject to change without prior notice.