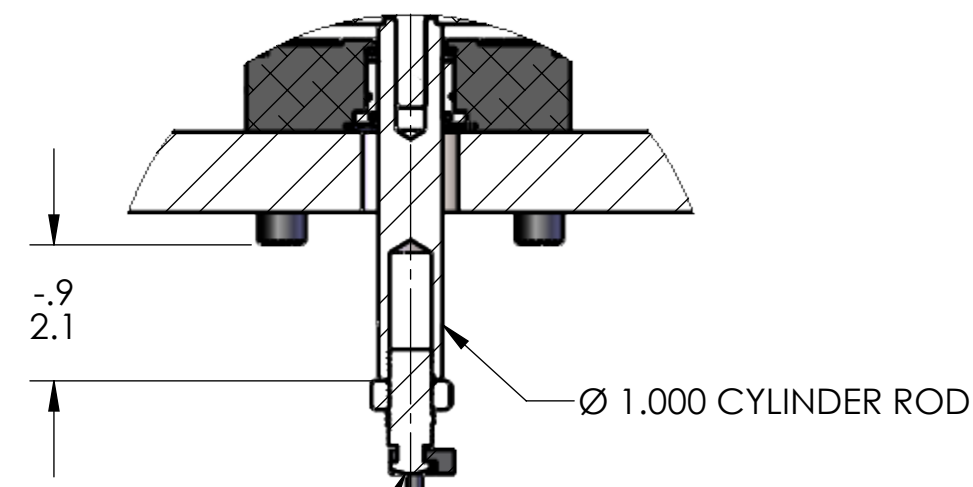
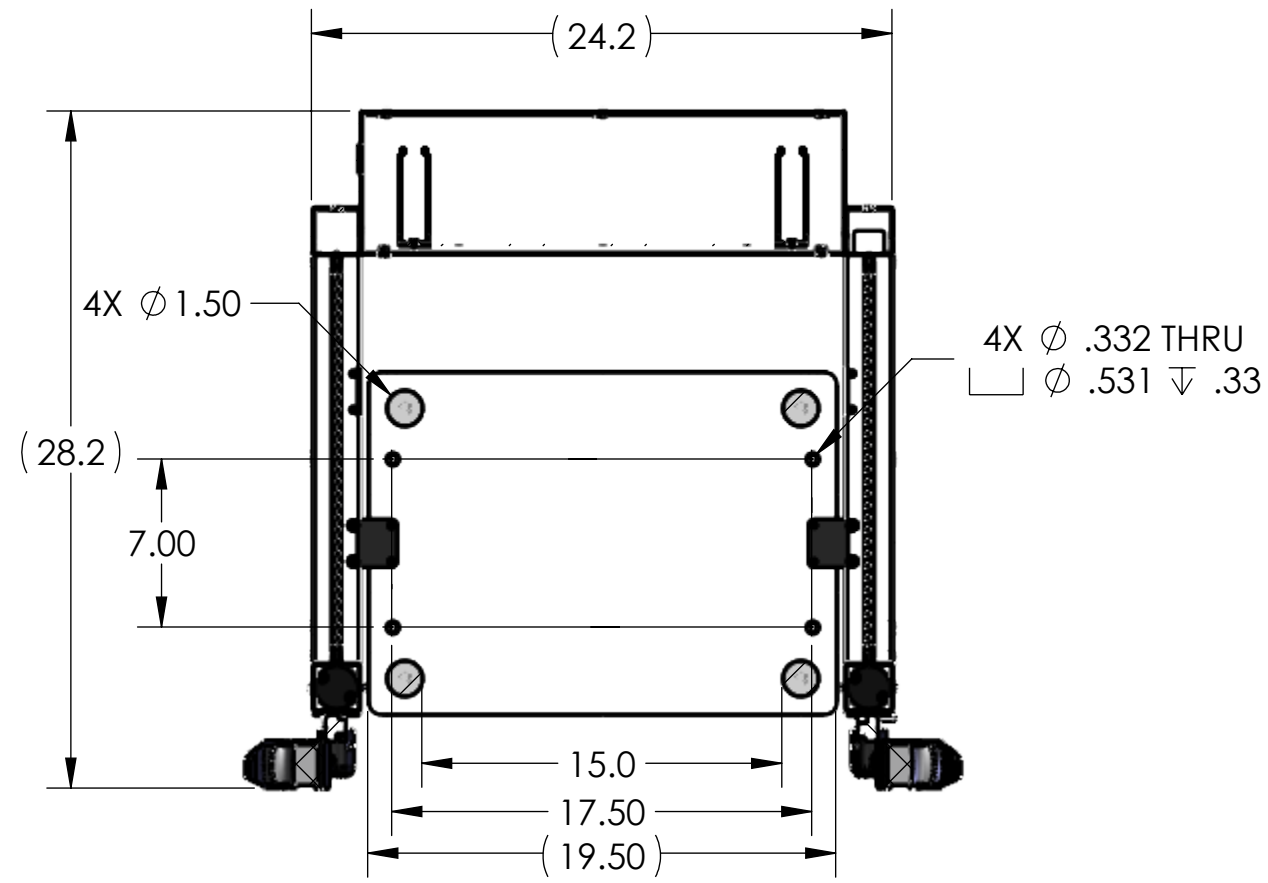
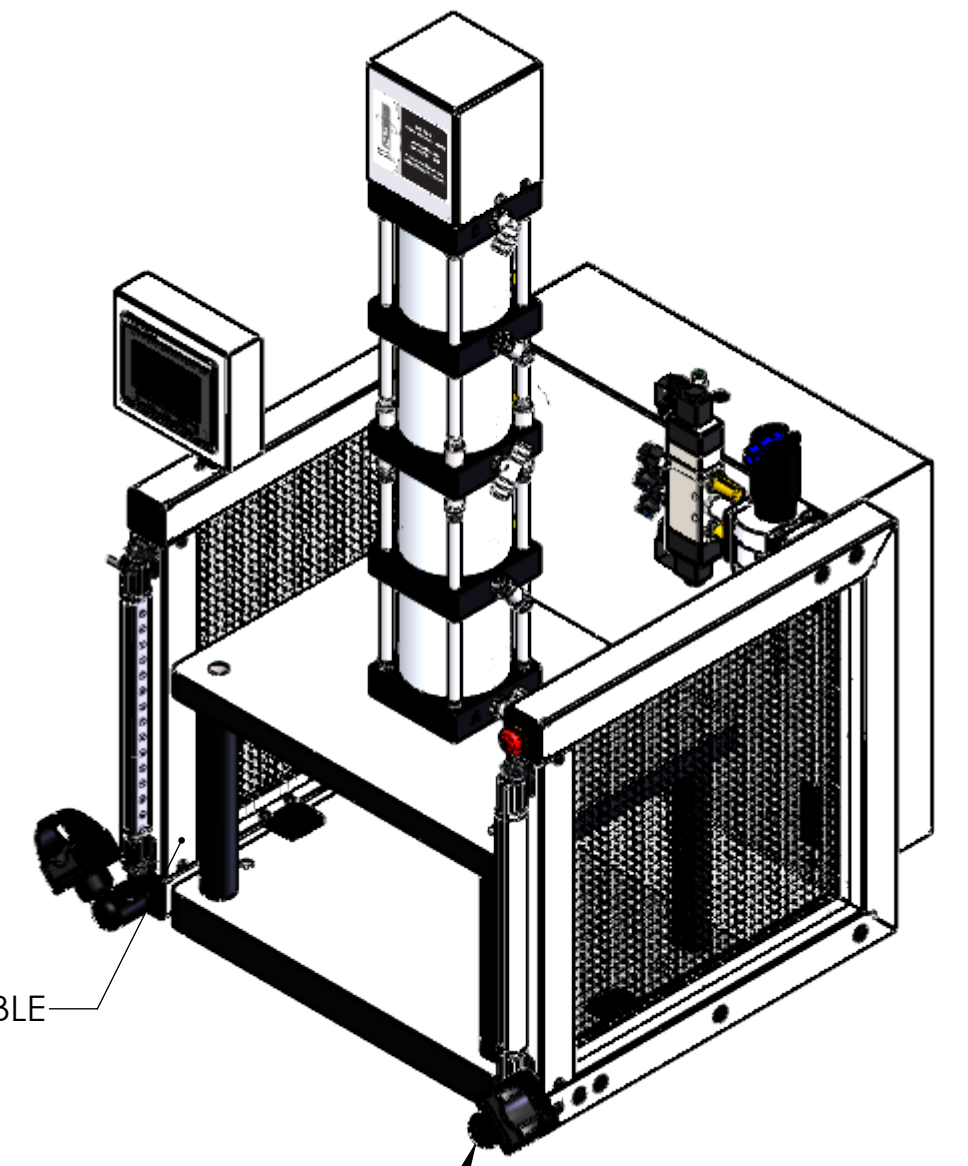


REGULATED PRESSURE	FORCE
60 PSI	3726
80 PSI	4968
100 PSI	6210

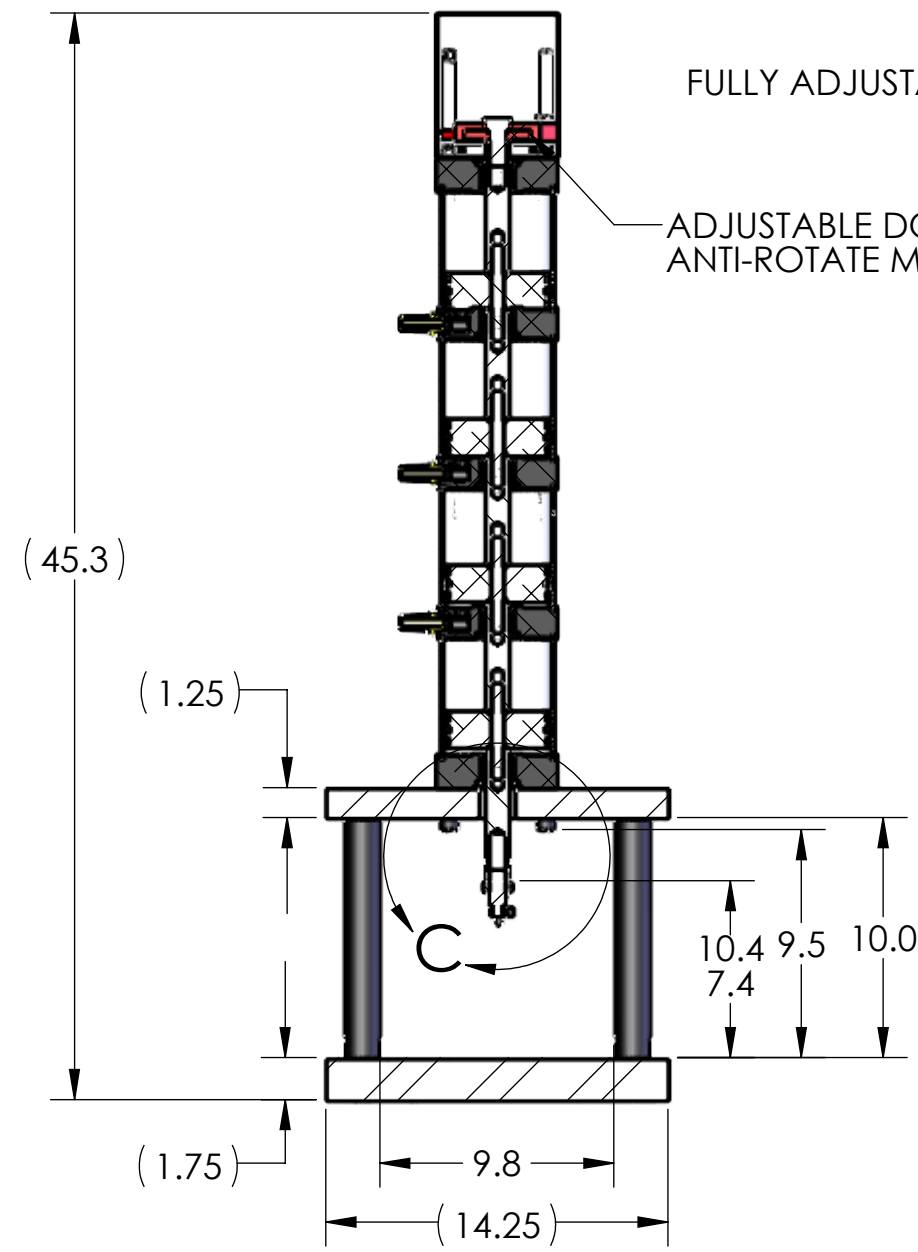
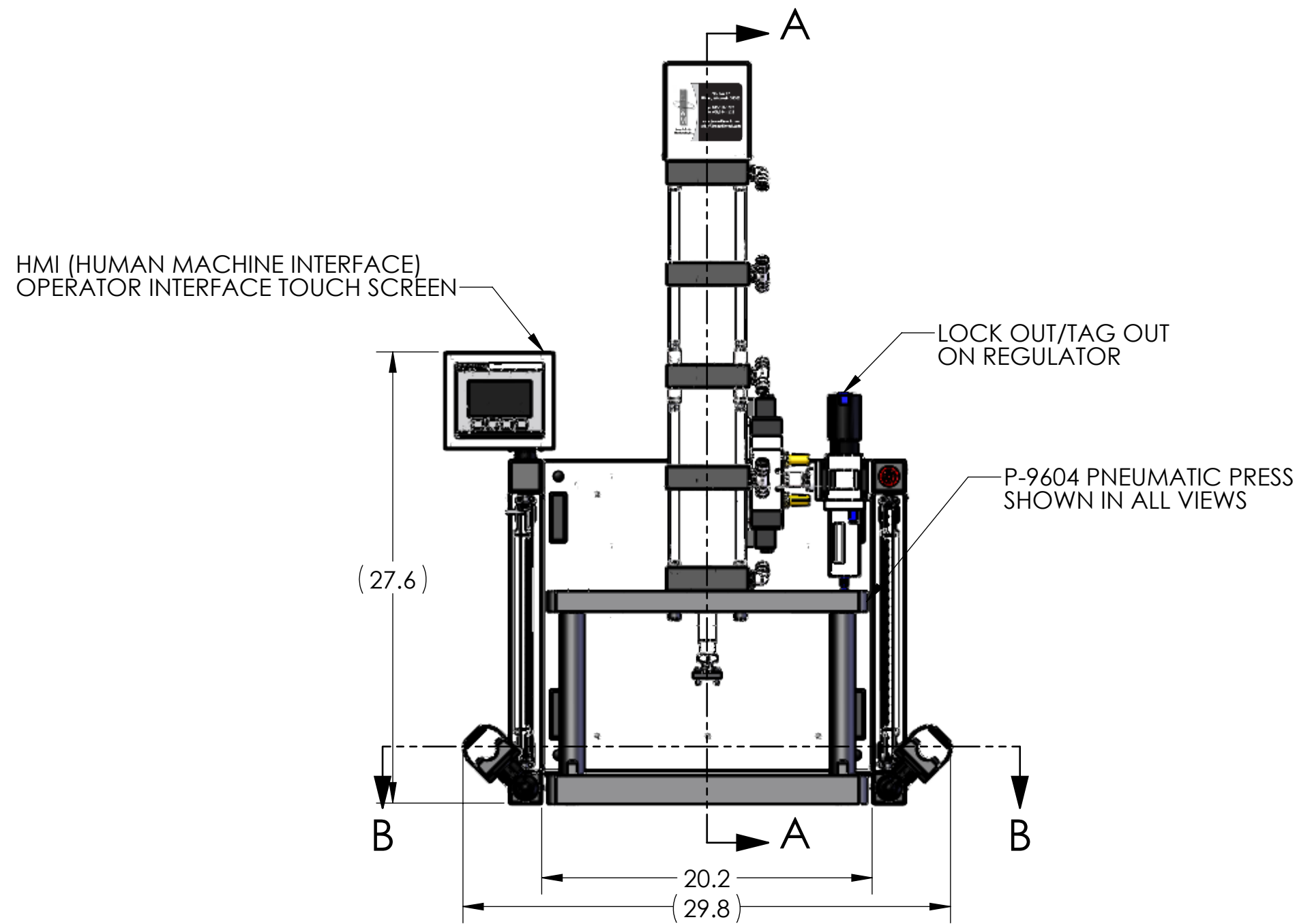


OPTIONAL TOOL ADAPTER:
FOR USE WITH DIE SETS
(3/4-10 UNC ∇ 1.50)
(4) LENGTHS AVAILABLE

DETAIL C
SCALE 1 : 3



FRONT TUBES & WIRE MESH ARE REMOVABLE



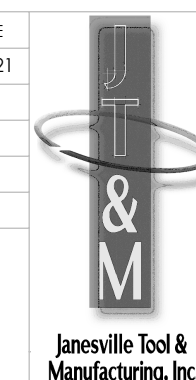
NOTES:

1. PRESS OPERATES ON LOW VOLTAGE (24V DC).
2. LED LIGHT COMES STANDARD.
3. OPTIONAL FORCE MONITORING SYSTEM AVAILABLE UPON REQUEST (NOT SHOWN).
4. CYLINDER ROD SHOWN IN EXTENDED POSITION.
5. ALL CYLINDERS COME STANDARD WITH 3" OF STROKE.
LONGER CYLINDER STROKE LENGTHS AVAILABLE UPON REQUEST (UP TO 12").
6. PRESS COMES STANDARD WITH 10" LONG POSTS.
ALTERNATE POST LENGTHS AVAILABLE UPON REQUEST (UP TO 18").
7. LIGHT CURTAIN, E-STOP AND TOOL ADAPTER SHOWN DO NOT COME STANDARD.
8. REMOVED GUARD IN RIGHT VIEW FOR CLARITY.

THIS DRAWING WAS PRINTED ON 9/1/2021

UNLESS OTHERWISE SPECIFIED:		NAME	DATE
DIMENSIONS ARE IN INCHES		DRAWN	RKM 4-19-21
TOLERANCES:		CHECKED	
FRACTIONAL ± 0.15		ENG APPR.	
ANGULAR: MACH ± 0.5 BEND ± 0.5		MFG APPR.	
TWO PLACE DECIMAL ± 0.01		Q.A.	
THREE PLACE DECIMAL ± 0.005		COMMENTS:	
FOUR PLACE DECIMAL ± 0.0005			
INTERPRET GEOMETRIC TOLERANCING PER: ASME Y14.5-1994			
MATERIAL			
SEE DETAILS			
FINISH			
SEE DETAILS			
DO NOT SCALE DRAWING			

NAME	DATE
DRAWN RKM	4-19-21
CHECKED	
ENG APPR.	
MFG APPR.	
Q.A.	
COMMENTS:	



Janesville Tool & Manufacturing Inc.		
3930 Enterprise Drive Janesville, WI 53546 Phone: 608-314-1620, Fax 608-314-1625		
TITLE: P-9604 FOUR STAGE		
SIZE	DWG. NO.	REV
C	P-9604-000-00	-
SCALE: 1:8	WEIGHT: 368.11	SHEET 1 OF 1

PROPRIETARY AND CONFIDENTIAL
THE INFORMATION CONTAINED IN THIS DRAWING IS THE SOLE PROPERTY OF JANESVILLE TOOL & MANUFACTURING INC. ANY REPRODUCTION IN PART OR AS A WHOLE WITHOUT THE WRITTEN PERMISSION OF JANESVILLE TOOL & MANUFACTURING INC. IS PROHIBITED.

BREAK ALL SHARP EDGES