

Cylinder Information

Model A-2070	3" Bore x 3" Stroke—Single End (Repair Kit 3" Bore—Single End)	606 20830
Model A-2066	3" Bore x 3" Stroke—Double End (Repair Kit 3" Bore—Double End)	605 20350



Janesville Tool &
Manufacturing, Inc.

3930 Enterprise Drive
Janesville, WI 53546

PO Box 67
Milton, WI 53563

Phone 608/314-1620
Fax 608/314-1625

www.janesvilletool.com
sales@janesvilletool.com



SERVICE MANUAL

A-2000 SERIES

A-2070

A-2066

3930 Enterprise Drive
Janesville, WI 53546

PO Box 67
Milton, WI 53563

Phone 608/314-1620
Fax 608/314-1625

www.janesvilletool.com
sales@janesvilletool.com



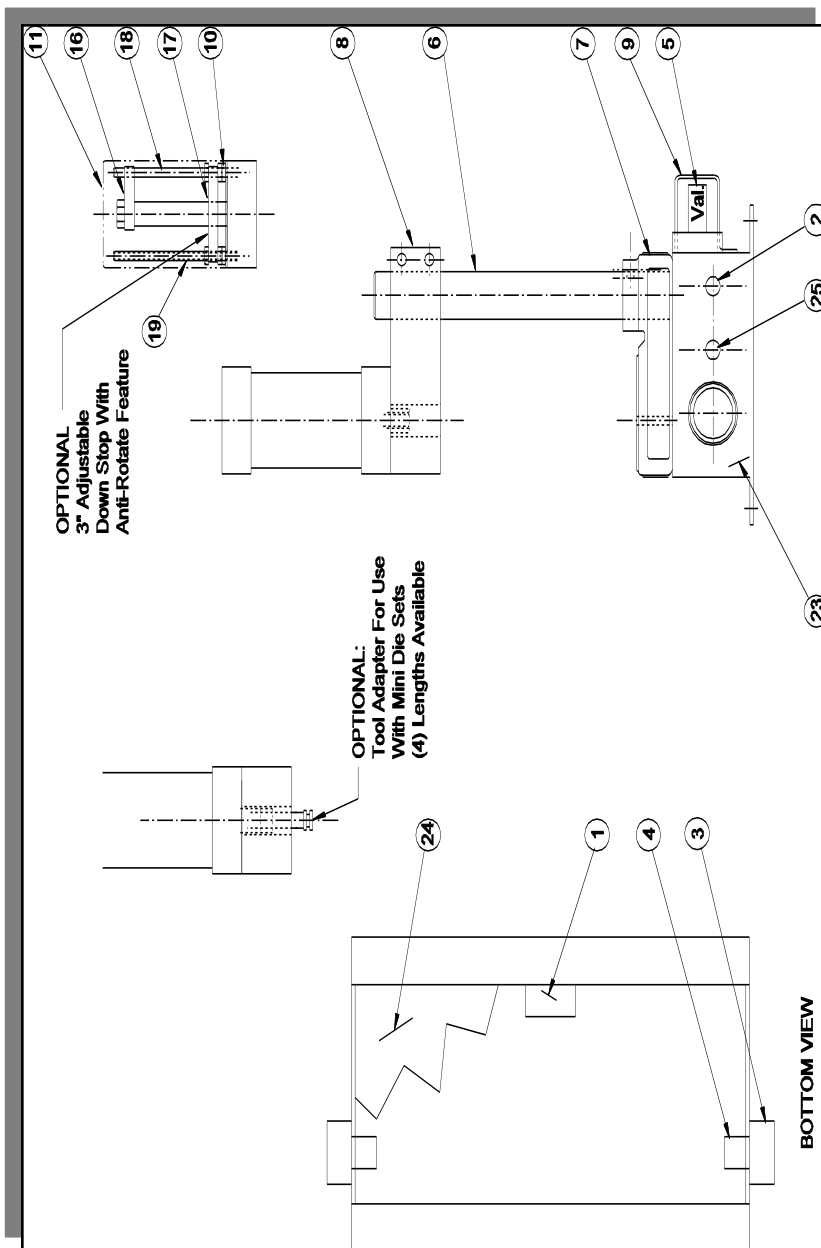
Safety Instructions
Read All Instructions Carefully

1. **DO NOT OPERATE PRESS WITH GUARDS REMOVED.**
ALL SAFETY DEVICES MUST BE INSTALLED AND OPERABLE.
2. **ADDITIONAL GUARDING IS REQUIRED FOR SPECIAL TOOLING.**
3. **DISCONNECT PRESS** when not in use, before servicing, and when changing accessories, such as down stops and tooling.
4. **WEAR SAFETY GLASSES WHILE OPERATING PRESS.**
5. **GUARD AGAINST ELECTRIC SHOCK.** Do not use in damp locations.
6. **DRESS PROPERLY.** Do not wear loose fitting clothing or jewelry that could get caught in moving parts.
7. **KEEP HANDS AWAY.** Never reach near moving parts.
8. **DO NOT OPERATE PRESS OVER 80 PSI.** Excess pressure may cause damage or injury.
9. **DO NOT OPERATE PRESS OVER LABELED VOLTAGE.**
10. **WATCH FOR DAMAGED PARTS.** If press is damaged during operation, examine the damaged part carefully to insure that it will operate properly. If in doubt, replace the damaged part. Check for alignment of moving parts, binding of moving parts, mounting and any other conditions that may affect its operation.

A-2000 Series Parts List
Models A-2070 & A-2066

ITEM	REQ'D	NAME	PART NO.
1	1	Control Module	540
3&4	2	Push Button & Contact	503A
5	1	Valve	511
6	1	Post	810-07
7	1	Base	2000-32
8	1	Head	2000-04
10	1	Bottom Guard	2000-07
11	1	Top Guard	2000-13
16	1	Anti-Rotate	3000-03
17	1	Stop Plate	3000-04
18	1	Anti-Rotate Stud	3000-09
19	2	Threaded Rod	3000-26
23	1	Control Box	2000-23
24	1	Bottom Cover	2000-28
25	1	Valve Mounting Plate	3000-66
26	1	Muffler 1/4" (Comes W/Valve)	513

A-2000 Series Parts List



Safety Instructions Continued...

11. KEEP WORK AREA CLEAN. Cluttered areas and benches invite injuries.

12. STAY ALERT. Watch what you are doing. Use common sense.

MAINTENANCE GUIDELINES

Thanks to its unique design, this press requires virtually no maintenance. Clean, dry air is required for operation. (Lubricated air may be used, but must be used for the life of the press.)

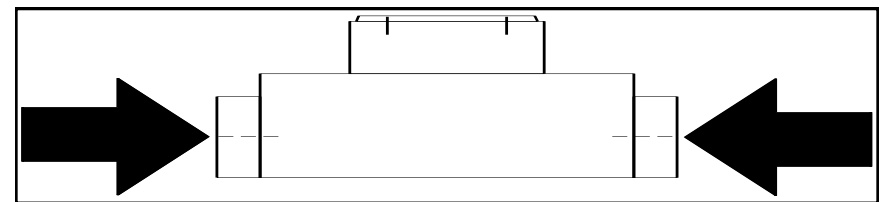
CONTROL MODULE – The life expectancy for the control module (#540) is ten million cycles. Replacing the module on a yearly basis will ensure production reliability and avoid costly downtime.

FLOW CONTROLS

To alter the ram descent speed on your JT&M Press, adjust the screw marked B Located on the valve at the rear of the press. To alter the ram ascent speed, adjust screw A. (The ram retraction speed has been preset by the factory.) Rotate the screws clockwise to decrease the speed of the ram.

PRESS OPERATION

To operate press, push palm buttons in at the same time. Hold the palm buttons in until the down stroke is completed.



Please Write Serial No. On Front Cover.

