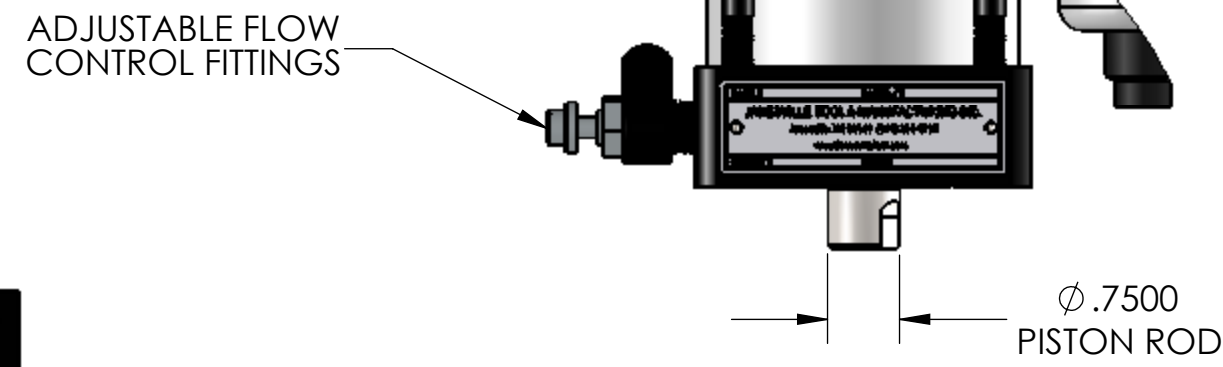
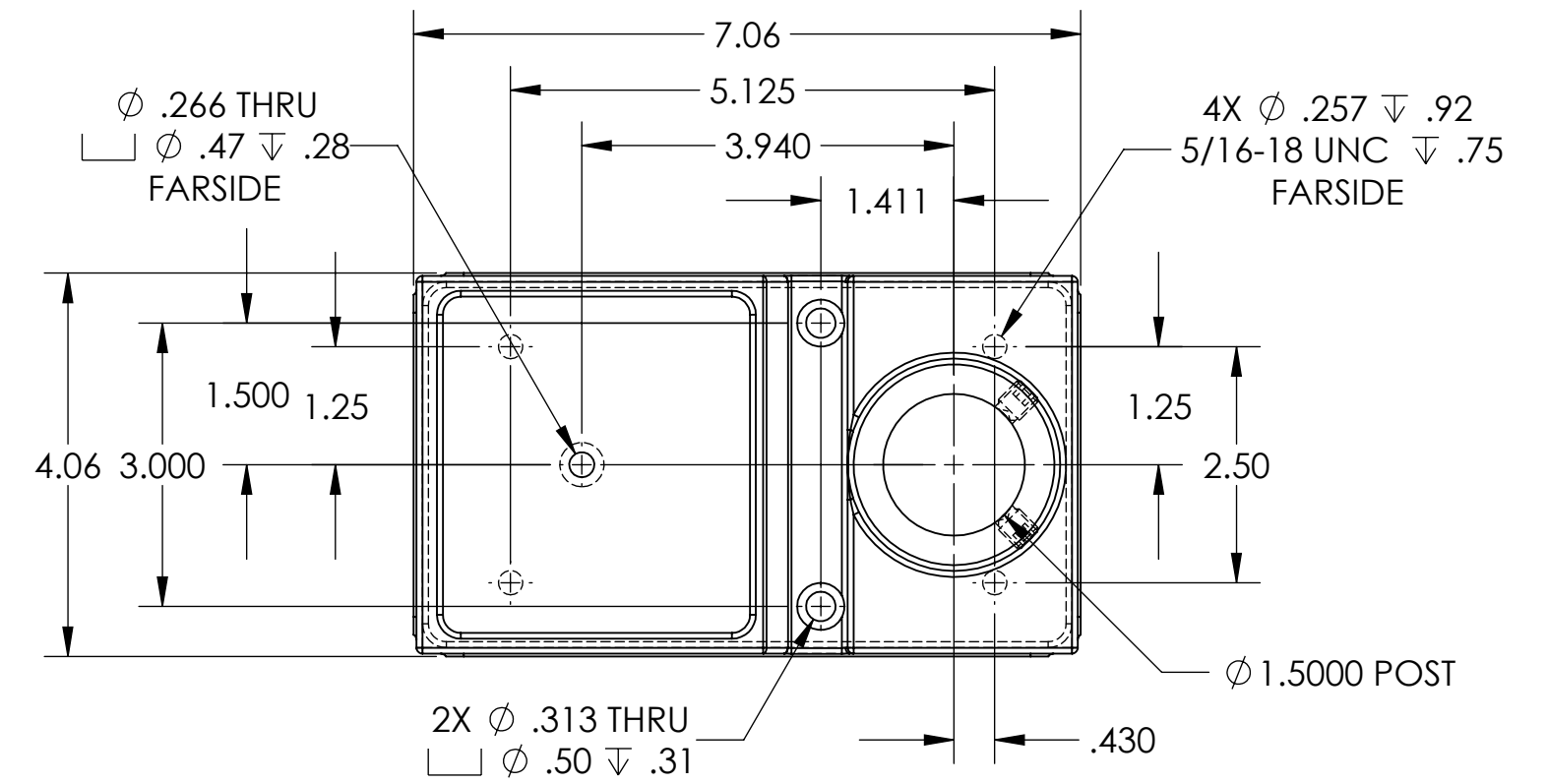


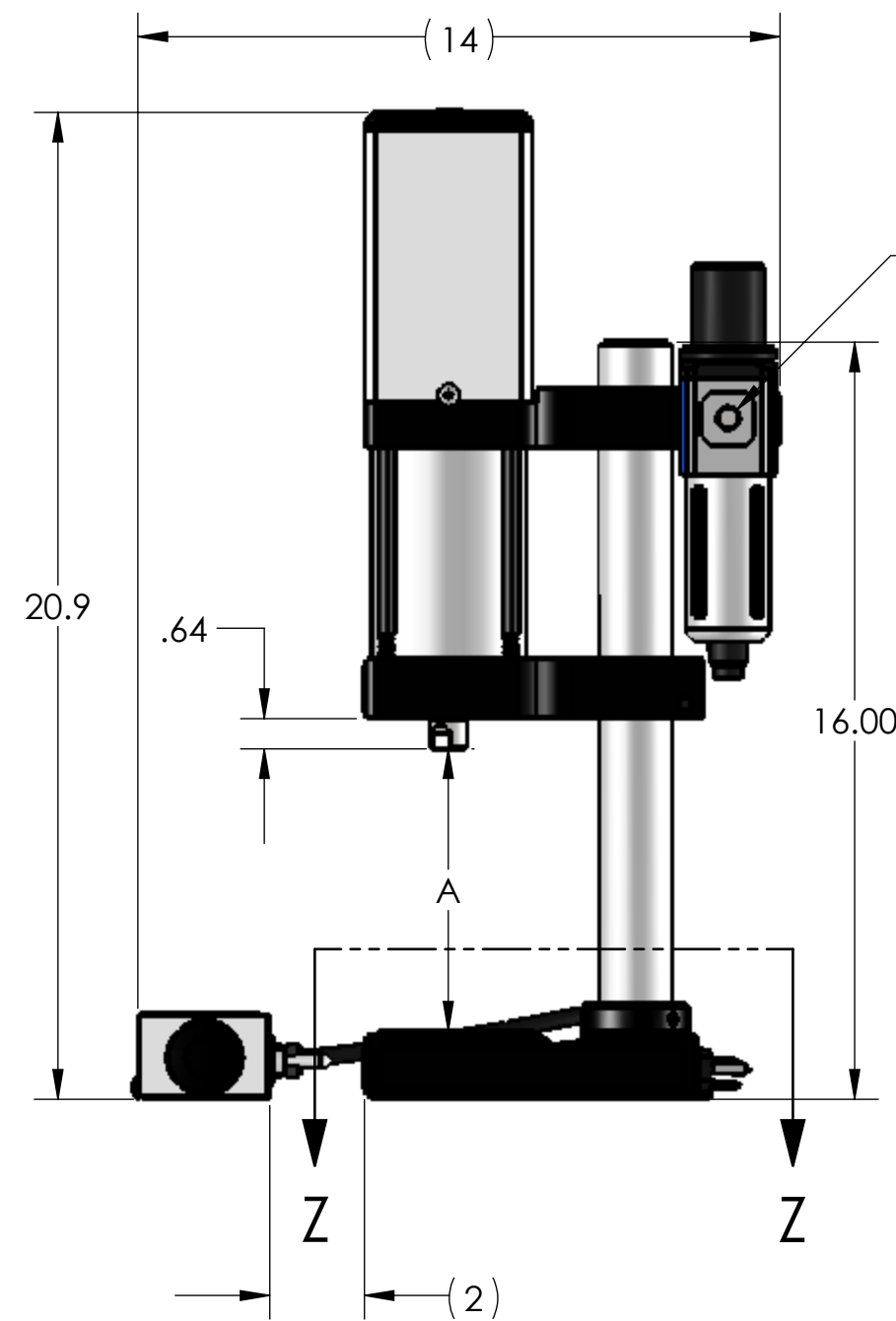
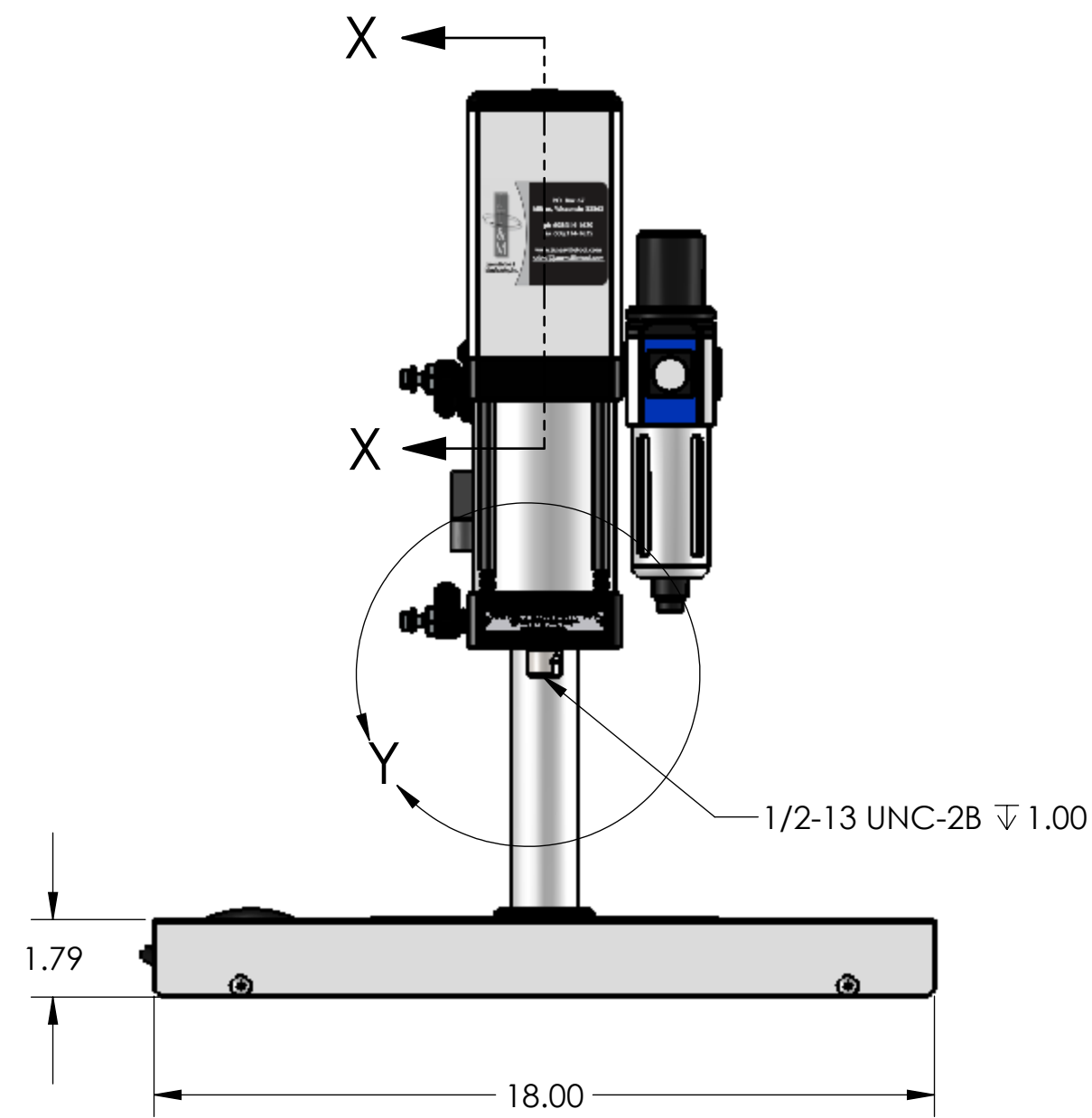
SECTION X-X  
SCALE 1 : 2



DETAIL Y  
SCALE 1 : 2



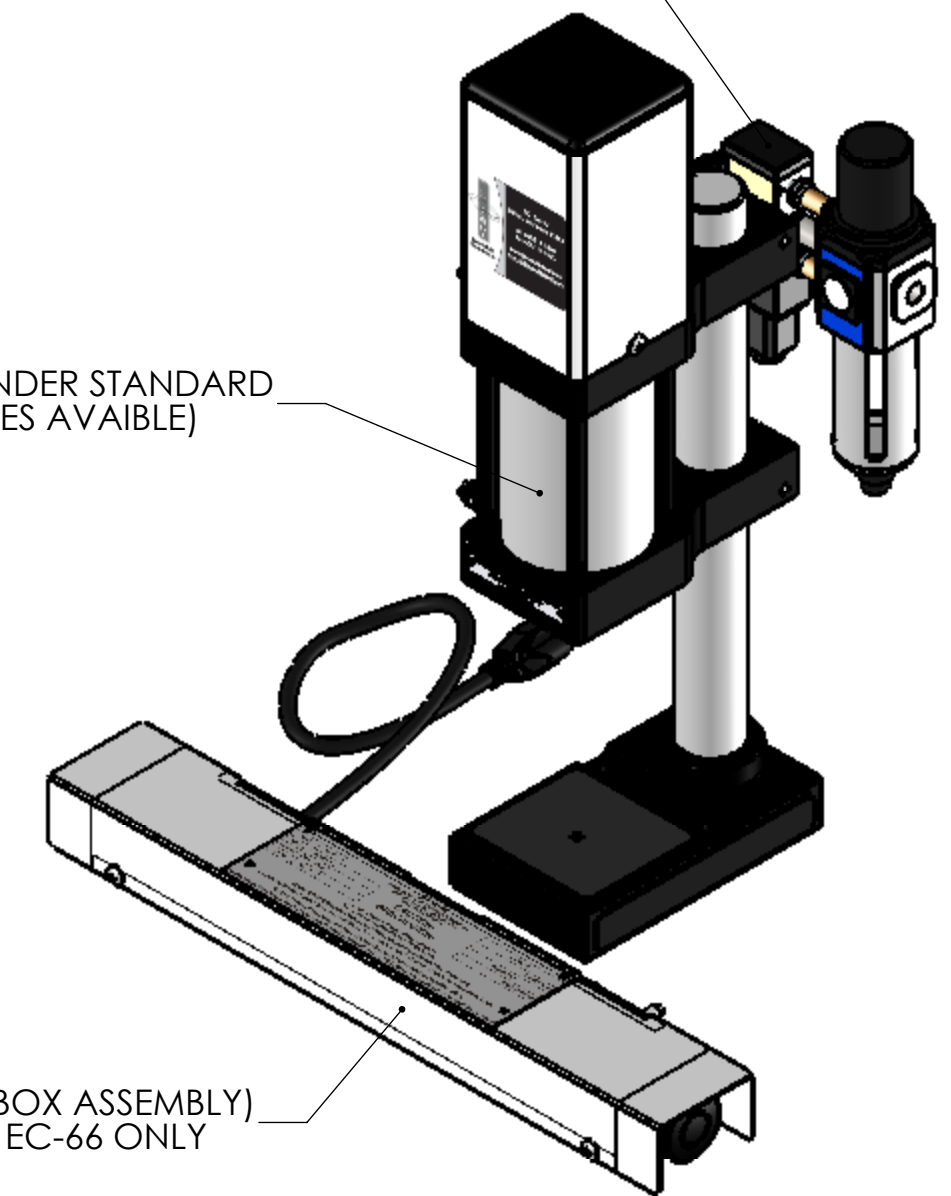
SECTION Z-Z  
SCALE 1 : 2



EV-100 (VALVE AND REGULATOR ASSEMBLY)  
STANDARD WITH EC-66 ONLY

3 INCH STROKE CYLINDER STANDARD  
(LONGER STROKES AVAILABLE)

EC-100 (CONTROL BOX ASSEMBLY)  
STANDARD WITH EC-66 ONLY



NOTE:

1. E-66 & EC-66 ARE COMPATIBLE WITH #1-6 MDS DIE SETS ONLY

| MODEL # | A DIM.    |
|---------|-----------|
| E-66    | 3.00-6.00 |
| EC-66   | 3.00-6.00 |

**Janesville Tool & Manufacturing Inc.**  
 3930 Enterprise Drive  
 Janesville, WI 53546  
 Phone: 608-314-1620, Fax 608-314-1625

TITLE:  
 ADJUSTABLE PNEUMATIC PRESS W/ CONTROLS

|      |          |     |
|------|----------|-----|
| SIZE | DWG. NO. | REV |
| C    | E SERIES | A   |

SCALE: 1:4 | WEIGHT: 43.81 | SHEET 2 OF 3