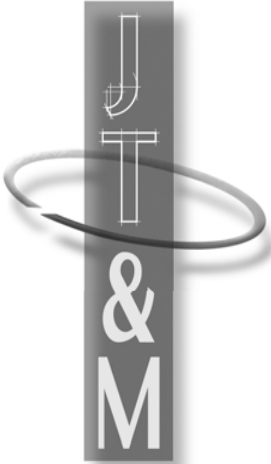
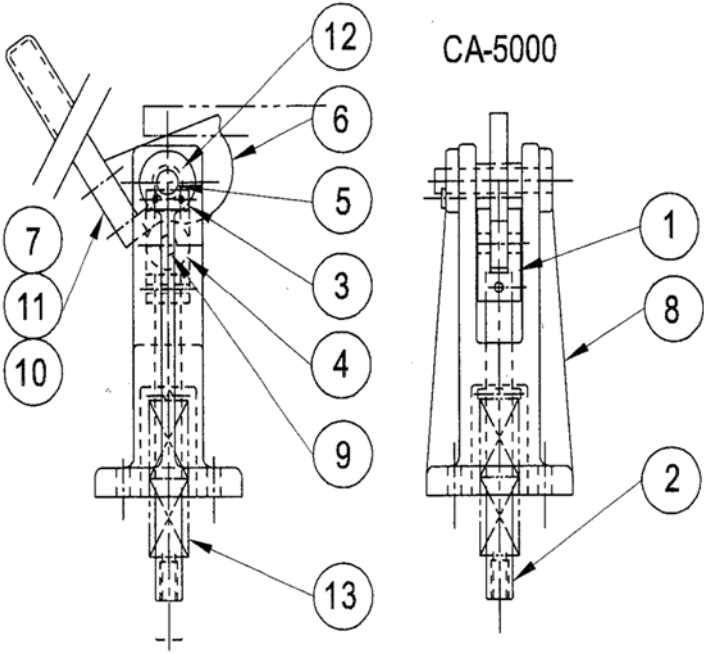


# SPARE PARTS MANUAL

For Model Numbers:



Janesville Tool & Manufacturing, Inc.

ITEM	REQ'D	PART NO.	DESCRIPTION
1	1	5000-22	Ram Clevis
2	1	5000-23	Ram
3	1	5000-24	Pin Retainer
4	3	5000-25	Cam Follower
5	2	5000-26	Cam Pivot Pin
6	1	5000-35	Cam
7	1	5000-37	Handle (18" Long)
8	2	5000-49	Upper Brk't. Support
9	1	5000-52	Follower Pin
10	3	5000-53	Handle Grip
11	1	5000-55	Handle (24" Long)
12	1	#4 MDS-5	Harden Bushing
13	1	LC-095 L-3	Comp. Spring

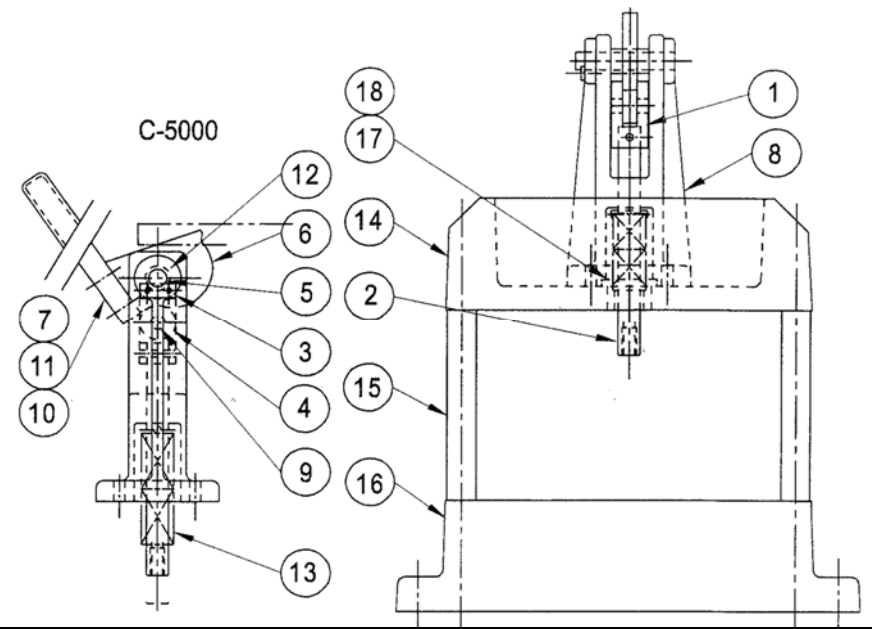
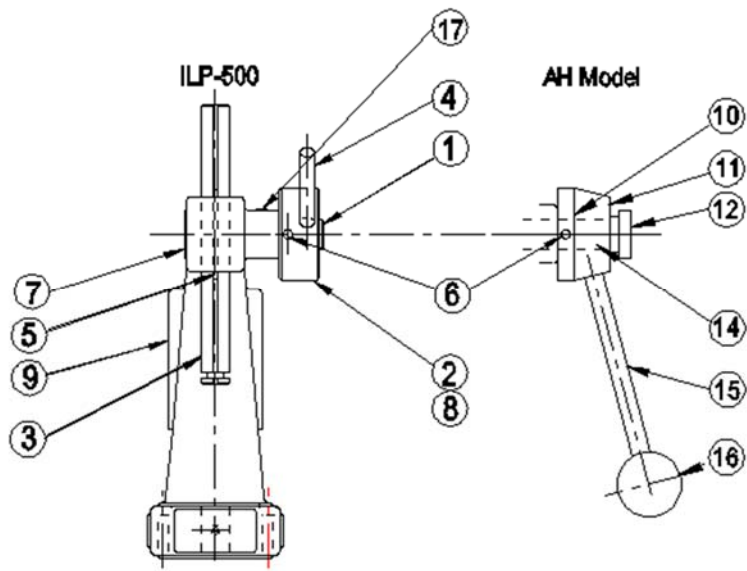
**ILP-500**  
**IP-500-AH**  
**DT-500**  
**DT-500-AH**  
**AP-810**  
**AP-810-AH**  
**AP-810-RR**  
**AP-810-RR-AH**  
**T-960**  
**T-963,5,7**  
**DT-6000**  
**C-5000**  
**CA-5000**

Janesville Tool & Mfg., Inc  
 3930 Enterprise Drive  
 Janesville WI 53546

PO Box 67  
 Milton WI 53563

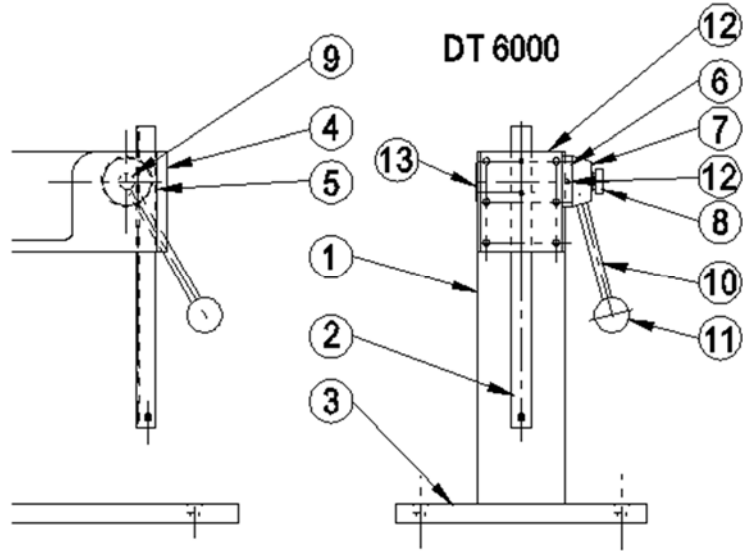
Phone 608/314-1620  
 Fax 608/314-1625

www.janesvilletool.com  
 sales@janesvilletool.com

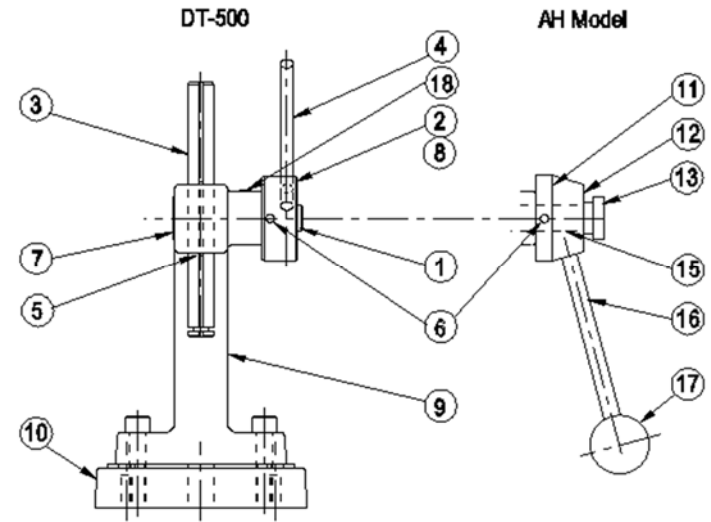


ITEM	Req'D	NAME	PART NO.
1	1	Pinion (Drilled)	500-02
2	1	Hub (Drilled)	810-03
3	1	Ram With KeyWay/Key	500-04, 12
4	1	Handle	500-11
5	1	Key	500-12
6	1	Shear Pin	810-09
7	1	Hole Plug	D3560
8	1	Pinion & Hub Ass'y. Includes: Pinion, Hub, Shear Pin & Handle	500-02, 11 810-03, 09
9	1	Frame	500-58
10	1	Index Plate (AH Model)	810-17
11	1	Hub (AH Model)	500-34
12	1	Thumb Screw (AH Model)	500-41
	1	Foam Grip	810-18
14	1	Pinion (AH Model)	500-02
*	1	Pinion Extension (AH Model)	500-73
15	1	Handle (AH Model)	500-32
16	1	Knob	B-6
17	1	Oiler	520G
*	1	Return Spring	LC095L3
*	1	Cover Casting (AH Model)	500-68

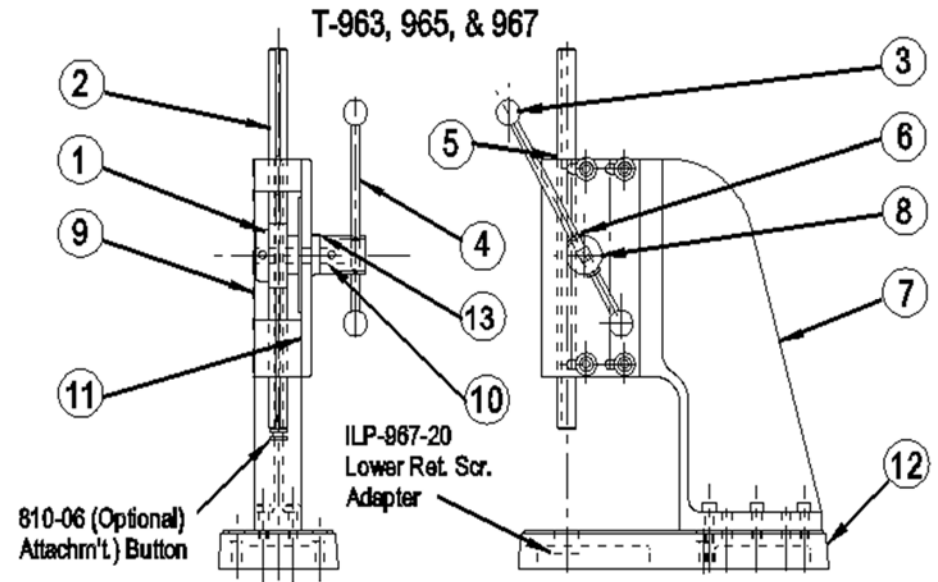
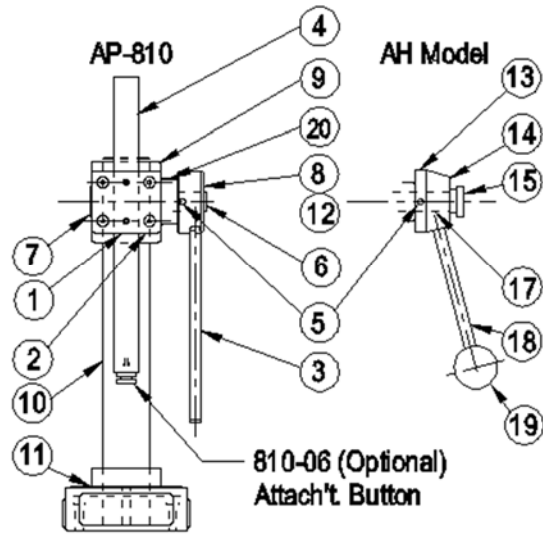
ITEM	REQ'D	PART NO.	DESCRIPTION
1	1	5000-22	Ram Clevis
2	1	5000-23	Ram
3	1	5000-24	Pin Retainer
4	3	5000-25	Cam Follower
5	2	5000-26	Cam Pivot Pin
6	1	5000-35	Cam
7	1	5000-37	Handle (18" Long)
8	2	5000-49	Upper Brk't. Support
9	1	5000-52	Follower Pin
10	3	5000-53	Handle Grip
11	1	5000-55	Handle (24" Long)
12	1	4 MDS-5	Harden Bushing
13	1	LC-095 L-3	Comp. Spring
14	1	5000-71	Top
15	4	5000-30	Post
16	1	5000-50	Bottom
17	1	5000-70	Bushing Holder
18	1	FB-1216-8	Bushing



ITEM	Req'D	NAME	PART NO.
1	1	Frame	6000-01
2	1	Rack	6000-02
3	1	Base	6000-05
4	1	Cover	6000-09
5	1	Ram Gibb	810-02
6	1	Index Plate (AH Model)	810-17
7	1	Hub	500-34
8	1	Thumb Screw (AH Model)	500-41
9	1	Pinion (AH Model)	810-16
10	1	Handle (AH Model)	810-20
11	1	Knob (AH Model)	B-6
12	1	Oiler	520G
13	1	Hole Plug	2723
14	1	Shear Pin	810-09
*	1	Cover Casting (AH Model)	500-68
*	1	Pinion Shaft	6000-17

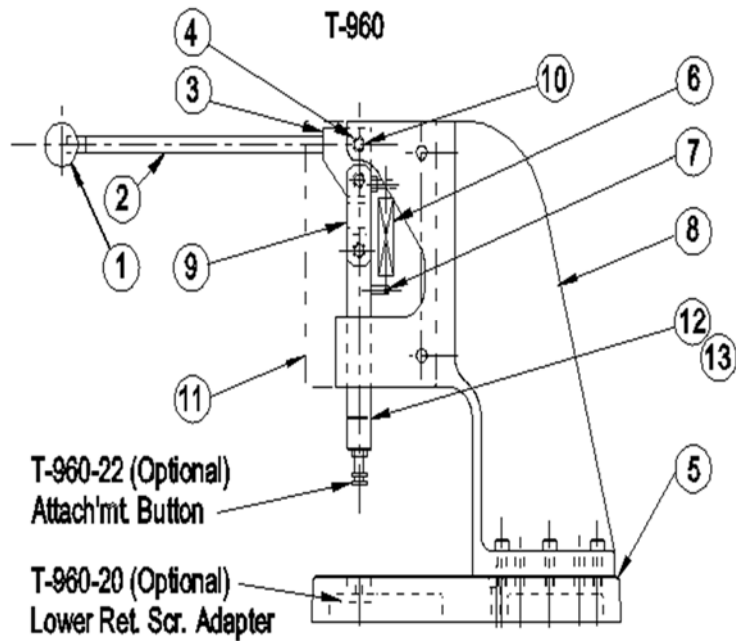


ITEM	Req'D	NAME	PART NO.
1	1	Pinion (Drilled)	500-02
2	1	Hub (Drilled)	810-03
3	1	Ram With KeyWay/Key	500-04, 12
4	1	Handle	500-28
*	1	Foam Grip	810-18
5	1	Key	500-12
6	1	Shear Pin	810-09
7	1	Hole Plug	D3560
8	1	Pinion & Hub Ass'y. Includes: Pinion, Hub, Shear Pin & Handle	500-02, 28 810-03, 09
9	1	Cloumn	500-62
10	1	Base	500-27
11	1	Index Plate	810-17
12	1	Hub	500-34
13	1	Thumb Screw	500-41
15	1	Pinion (AH Model)	500-02
*	1	Pinion Extension (AH Model)	500-73
16	1	Handle (AH Model)	500-32
17	1	Knob (AH Model)	B-6
18	1	Oiler	520
*	1	Return Spring	LC095L3
*	1	Cover Casting (AH Model)	500-68

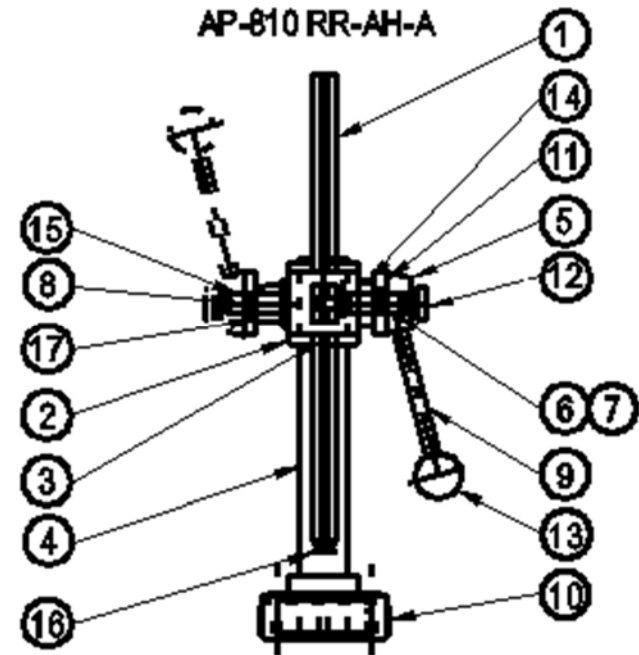


ITEM	Req'D	NAME	PART NO.
1	1	Ram Gibb	810-02
2	1	Cover	810-01
3	1	Handle	810-04
*	1	Foam Grip	810-18
4	1	Ram	810-08
5	1	Shear Pin	810-09
6	1	Pinion (Drilled)	810-29
7	1	Hole Plug	2723
8	1	Pinion & Hub Ass'y. Includes: Pinion, Hub, Shear Pin & Handle	810-03, 09 810-04, 10
9	1	Head Casting (Mach'd)	810-23
10	1	Post	810-07
11	1	Base Casting (Mach'd)	810-11
12	1	Hub	810-03
13	1	Index Plate (AH Model)	810-17
14	1	Hub (AH Model)	500-34
15	1	Thumb Screw (AH Model)	500-41
*	1	Pinion Extension (AH Model)	810-27
18	1	Handle	810-20
19	1	Knob	B-6
20	1	Oiler	520G
*	1	Casting Cover (AH Model)	500-68

ITEM	Req'D	NAME	PART NO.
1	1	Gear For ILP-967 & Drive Shaft	967-05, 03
1	1	Gear For ILP-965 & Drive Shaft	965-01 & 967-03
1	1	Gear For ILP-963 (Pinion)	963-03
2	1	Ram	967-04
3	2	Knob	B-8
4	1	Handle	967-11
5	1	Key	967-07
6	2	"O" Ring	AS-204
7	1	Press Frame	967-01
8	1	Hub	967-12
9	1	Guard	967-08
*	1	Hardened Washer	NWT-16002
10	1	Drive Shaft	967-03
11	1	Support Plate	967-19
12	1	Base Plate	963-11
13	1	Oiler	520



ITEM	Req'D	NAME	PART NO.
1	1	Knob	B-8
2	1	Handle	960-06
3	1	Drive Link	960-04
4	3	Bushing	P-40-12
5	1	Base Plate	960-11
6	1	Extension Spring	LE-069F-2
7	1	Spring Anchor	9634K13
8	1	Press Frame	960-03
9		Connecting Link Assemble	960-17,18 960-19
10	3	Pivot Pin	960-07
11	1	Guard	960-09
12	1	Ram (Blank)	960-10
13	1	Ram(3/8-24 Internal Thread)	960-12



ITEM	Req'D	NAME	PART NO.
1	1	Ram	967-04
2	1	Head	810-24
3	1	Key	810-21
4	1	Post	810-07
5	1	Hub	500-34
6	1	Pinion	963-03
7	1	Pinion & Hub Ass'y. Includes: Pinion, Hub, Shear Pin, Handle	963-03,810-20, 810-09,500-34
8	2	Shear Pin	810-09
9	1	Handle	810-20
10	1	Base	810-35
11	1	Index Plate (AH Model)	810-17
12	1	Thumb Screw (AH Model)	500-41
13	1	Knob	B-6
14	2	Oiler	520G
15	1	Pinion Extension (AH Model)	810-27
16	1	Attachment Button	810-06
17	1	Cover	500-68